

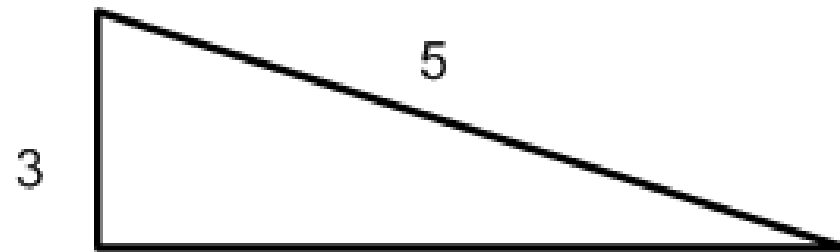
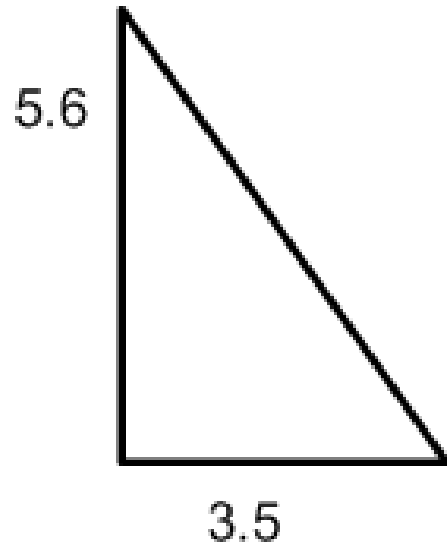
Learning Target:

1. I can find the missing side of a right angle triangle using Trig ratios
2. I can find the missing angle of a right angle triangle using Trig ratios

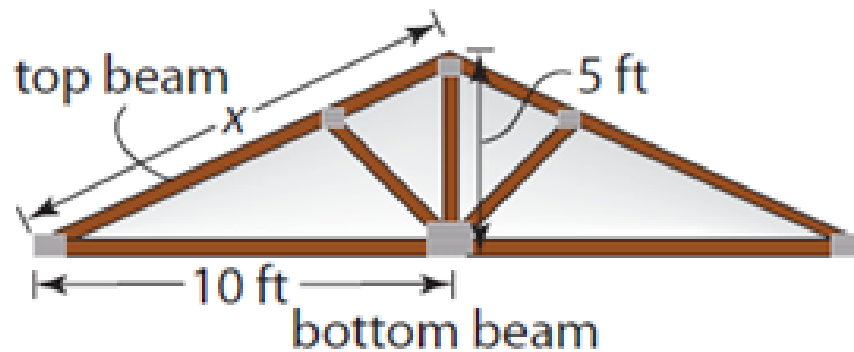
To start let's review...

Pythagorean Theorem: $a^2 + b^2 = c^2$

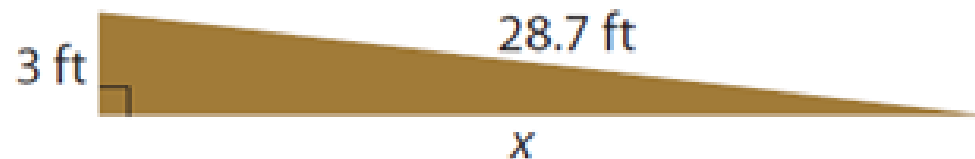
Find the missing side:



- a)** Bart is building a roof truss. Determine the length of the top beam.



- b)** Dylan is using a moving ramp to load furniture into a truck. Determine the horizontal length of the ramp.



Complete the Pythagorean Theorem Handout